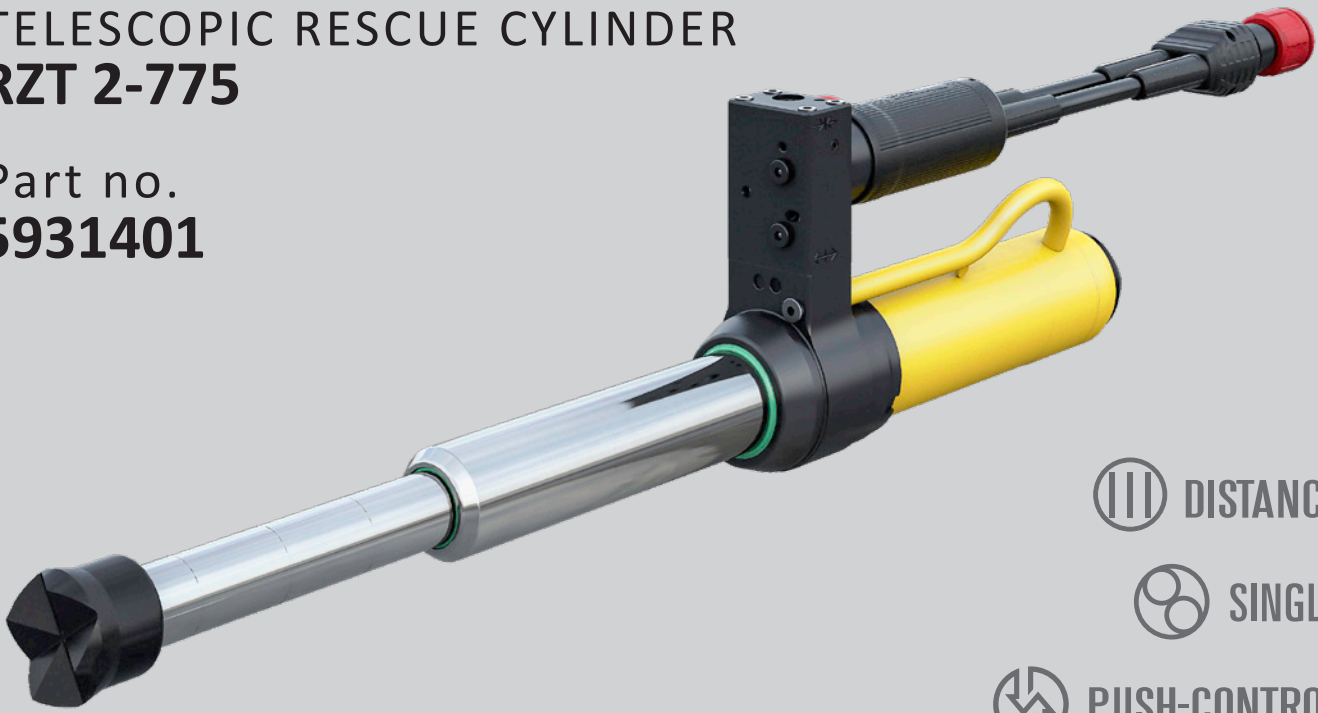


# TELESCOPIC RESCUE CYLINDER RZT 2-775

Part no.  
**5931401**



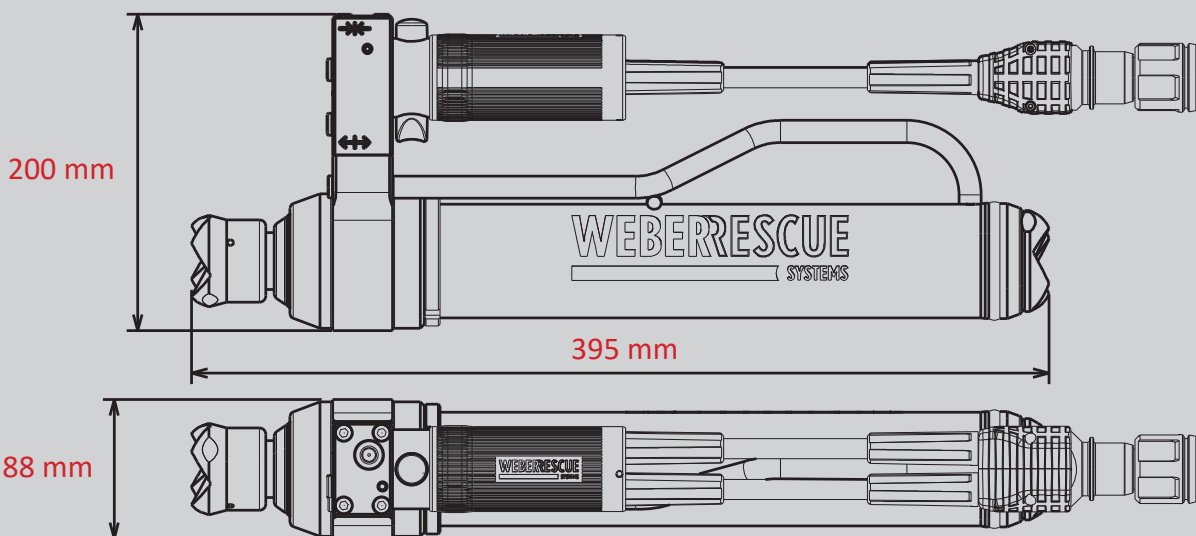
 DISTANCE

 SINGLE

 PUSH-CONTROL

## Technical specifications:

Closed length (retracted)	395 mm
Final length (extended)	775 mm
Stroke stage 1 / stroke stage 2	210 mm / 170 mm
Force stage 1 / force stage 2	189,4 kN / 99,0 kN
Weight (ready for use)	11,3 kg
Required oil volume	0,6 l
Dimensions (LxWxH)	395 x 200 x 88 mm
Nominal pressure	700 bar
EN classification (EN 13204)	TR189/210-99/170-11,3



Images are non-binding. We reserve the right to technical modifications.  
60005133 (-, -, ALL, 04.07.2019)